

# MINITEMP™

Portable Infrared Thermometer



## Noncontact Temperature Measurement



## MiniTemp™ The new way to measure temperatures

Raytek MiniTemp is pocket-sized and easy to use—just point, shoot and read the temperature on the large backlit display. When you need a fast, easy, safe way to measure surface temperature, you need a MiniTemp noncontact thermometer. Use MiniTemp at work, at home, anywhere.

The unit is powered by a 9V battery and displays temperatures in either °C or °F. An accessory pack including a pouch and wrist strap is also available. Laser sighting (Laser Point™) helps targeting.

### APPLICATIONS

**Automotive** - Troubleshoot engines including ignition system problems and fuel/air adjustments. Diagnose cooling systems including thermostats and coolant sensors; radiators; brakes; and tires.

**HVAC** - Balance room temperatures, monitor supply/return registers, check furnace performance, perform energy audits, and check window insulation.

**Electrical** - Check electrical panels for hot spots, find defective transformers, and detect loose electrical connections.

**Food safety** - Check holding, serving, and storage temperatures, maintain freezers, ovens, ranges, and dishwashers.

**And more** - Hundreds of work, home, and recreational applications.

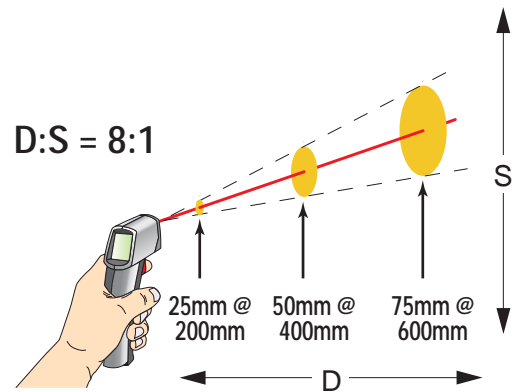
- Simple to use
- Instant readings
- Laser Point™
- Large, easy to read display
- Temperature Range  
-18° to 275°C
- °C or °F selectable

## MINI TEMP Specifications

Temperature range	-18 to 275°C
Accuracy (23°C ambient temperature)	-1°C to 275°C ±2% or ±2°C whichever is greater -18°C to -1°C ±3°C
Repeatability	±2% of reading, or ±2°C, whichever is greater
Response time	500 mSec, 95% response
Spectral response	7-18 µm
Emissivity*	pre-set 0.95
Ambient operating range	0 to 50°C
Relative humidity	10-95% RH noncondensing, @ up to 30°C
Storage temperature	-20° to 65°C without battery
Weight / Dimensions	227 g ; 152 x 101 x 38 mm
Power	9V Alkaline or NiCd battery (included)
Battery life (Alkaline)	12 hrs
Laser Class II	Yes
Typical distance to target (Spot)	Up to 1.5 m
Distance to spot (D:S)	8:1 (see diagram)
Additional options/Accessories	Nylon holster

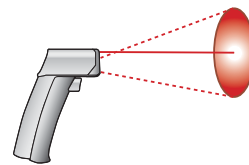
\*For more information on emissivity for unique applications visit [www.raytek.com/emissivity.htm](http://www.raytek.com/emissivity.htm)

## Optical Resolution



The MiniTemp is intended for close range targets, measuring a minimum target area of 25 mm in diameter out to a distance of approximately 200 mm, and has a 150 mm target measurement area at 1.5 m.

## Laser Sighting



**Laser Point™** Single-point laser indicates the approximate center of the target spot.