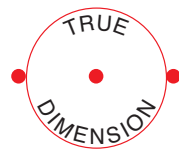


# PhotoTemp™ MX6 TD

Infrarød temperaturmåling integreret digital kamera



**Stærkt værktøj til vedligeholdelse og forebyggelse**



**Måling**



**Fotografere**



**Dokumentere**

Introduktion af verdens første præcisions infrarød termometer med integreret digital kamera. Mål temperaturen øjeblikkeligt – og tag i samme arbejdsgang et billede som viser det målte område. Phototemp MX6 tager digitale billeder hvor der er påtrykt temperatur, lokation og dato/klokkeslæt, hvilket gør det til en suveræn dokumentation af vedligeholdelse og forebyggelse.

# PhotoTemp MX6 TD

Ethvert infrarødt termometer kan måle temperaturer, men PhotoTemp MX6 måler temperaturen sammen med et digitalt fotografi af det målte område og omgivelserne.

Dokumentation er i fotoet! Temperatur måle objekterne er øjeblikkeligt indfanget i et digitalt fotografi med et tids- og dato stempel på billedet. Fotoet viser præcisions True Spot laser sigtet med en cirkel af laser punkter, som udpeger det nøjagtige måleområde. True Spot er en coaxial cirkulær laser sigte system som viser det nøjagtige måleområde på alle afstande.

Forsikrer dig at inspektionen er udført ordentligt. Brug DataTemp MX softwaren til at lagre temperaturmålinger og fotos fra instrumentet for at dobbelt tjekke inspektions opgaverne.

Få garanti for konsistens ved at bruge tidligere billeder som reference, og True Spot laseren som en guide til, at sikre dig at en efterfølgende måling er på samme mål.

Lav tilpassede virksomheds rapporter med PhotoTemp MX6 data og fotos. Importer og indsæt information fra PhotoTemp MX6 data filer i rapporter.



## PhotoTemp MX6 Standard Tilbehør

### Inkluderer:

- Brugervejledning
- DataTemp MX Software
- Thermocouple K Probe
- Hårdfør opbevaringsboks
- USB kabel

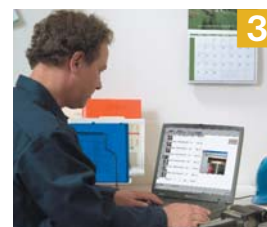
## Måling & Dokumentation Så simpelt som som 1-2-3



1  
Log temperaturen og tag samtidigt billede med PhotoTemp.



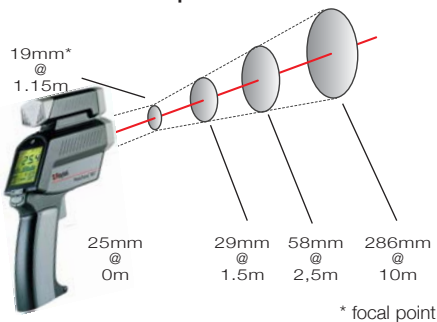
2  
Download data fra PhotoTemp til PC.



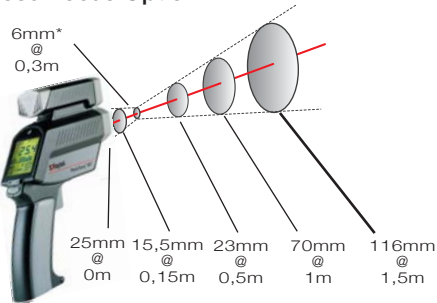
3  
Se billeder og grafer, og klip/kopier billeder ind i rapport

## Optical Resolution

### Standard Focus Optic



### Close Focus Optic



## Close Focus Option

- Measure objects as small as 6 mm at 300 mm



## Advanced Display



- Icons for camera active, flash active, and flash charging, and indication of photos remaining
- Confirmation of a successful photo taken
- 30 pre-set common material emissivities

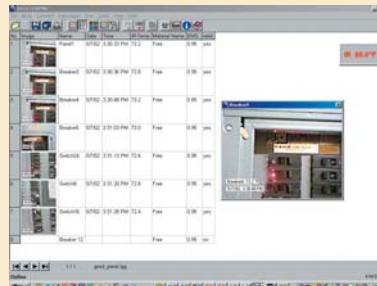
- Adjustable emissivity values (0.01 increments)
- 100 location logging capability
- Customized log location names and alarms

## Sub Zero Option

- Measure temperatures from -50°C through 500°C

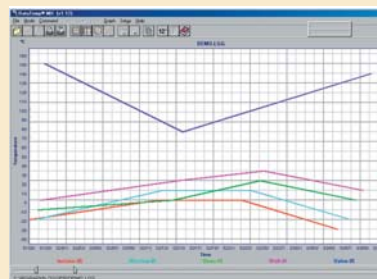
## DataTemp MX Software

Visualize, systematically maintain and analyze temperature data using Windows-compatible Raytek DataTemp MX software. Export data and images in common file formats for easy incorporation into standard programs.



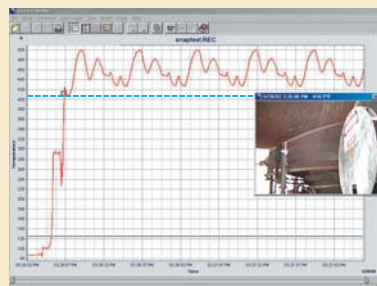
### Data Log Tabular View

- See photos next to temperature data
- Create identifiable location names
- Tailor high/low alarms to location
- View minimum, maximum and average temperatures



### Graph

- Visually find and review trends
- Quickly compare temperature trends of up to 5 locations
- Display infrared temperatures over time
- Store up to 10,000 data points in a file



### Real Time Temperature Reporting

- Record photos while in continuous measuring mode
- Set PhotoTemp to take photos when high/low alarms are exceeded
- Easily view photos through indications on temperature graph
- Simultaneously see temperature trend and photo

**Electrical Maintenance Report**  
Alone Infrared Service, Inc.

Report Date: 17 May 2002

Report No. [R1709] Image Used: [5/17/02 2:30:28 PM]  
 Job Number: [252] Equipment No. [11808]  
 Location Name: [Circuit] User Name: [Chris Schmidt]  
 Location Description: [This breaker controls the main motor for mixer.]  
 Temperature Unit: [°F] Ambient Temp: [72] Background: [35]  
 Wind Speed: [1] Wind direction: [SW]  
 Sky condition: [N/A] Distance to object: [200/W/12]  
 Rated load: [ ] Measured load: [ ]  
 Emissivity: [ε = 0.95] Temperature: [72.8]  
 Material type: [Eyes]  
 Repair Priority: [M H U] Repair Check Date: [7 July 2002]

Comments: [ ]

### Report Creation

- Import and paste temperature data and photographs to quickly create multiple reports
- Add impact to reports with recorded photos



# PhotoTemp MX6 Specifications and Features

Thermometer	Temperature Range	-30° to 900°C (-50° to 500°C with SZ option)
	Accuracy (Assumes ambient operating temperature of 23°C)	±0.75% of reading or ±0.75°C whichever is greater
	Repeatability	≤ ±0.5% of reading or ≤ ±0.5°C, whichever is greater
	Response Time	250 mSec (95% of reading)
	Spectral Response	8 to 14µm, thermopile detector
	Distance to Spot (D:S)	60:1 (50:1 with Close Focus Option)
	Minimum Spot Size Diameter	19mm (6mm with Close Focus Option)
	Display Resolution	0.1°C of reading up to 900°C
	Temperature Display	°C or °F selectable
	Ambient Operating Temperature	0 to 50°C
	Relative Humidity	10 to 90% RH non-condensing @ up to 30°C
	Storage Temperature	-20 to 50°C
	Tripod Mount	1/4-20 UNC (standard photographic tripod)
	Power	2 AA Batteries
	Battery Life (in continuous use)	8 hrs (13 hrs with photographic mode off)
	Laser Class II	3-point laser sighting (Meets IEC Class 2), 635 nm
	Maximum and Minimum Temperature Displayed	✓
	Audible/Visible High Alarm	✓
	Differential and Average Temperature	✓
	Bar Graph Display	✓
	Adjustable Emissivity* (from 0.1 to 1.0 by 0.01)	✓
	100 Points Data Logging	✓
	Display Hold	✓
LCD Backlit	✓	
PC Software Operating Systems	Windows 98, ME, 2000 and XP	
Data Graphing & Photo Viewing Software (Windows compatible)	✓	
Data Output: USB or 1mV per degree (°C or °F)	✓	
Weight	580g	
Camera	Maximum Number of 640x480 Pixel Photos (VGA)	26
	Maximum Number of 320x240 Pixel Photos (1/4 VGA)	100
	Recharge Time for Flash	< 5 sec
	Camera Lens	6 mm approximately equal to 42mm lens on a 35mm camera
	Close-up Distance Focal Point • Far Distance Focal Point	200 mm • Infinity
	Light Sensitivity	6 lux w/out flash
	Variable Shutter Speed	< 1/15 sec (with flash at 1/15 sec fixed)
	Data Interface	USB 1.1
Image File Format / Data Output Protocol	.jpg files • .dot files	
Options/ Accessories	Delivery Content	DataTemp MX Software • USB Computer Cable • Hard Carry Case • Thermocouple K Probe
	Accessories	• Thermistor (NTC Probe) • Soft Carry Case
	Options	Close-Focus Option • Sub-Zero Option

VIKING International  
 Danmarksvej 30  
 8660 Skanderborg  
 Postboks 373

Tlf.: +45 86 51 08 99

Fax.: +45 86 51 08 89

Email.: viking@viking-international.dk

Web.: www.viking-international.dk

**VIKING** International  
 www.viking-international.dk